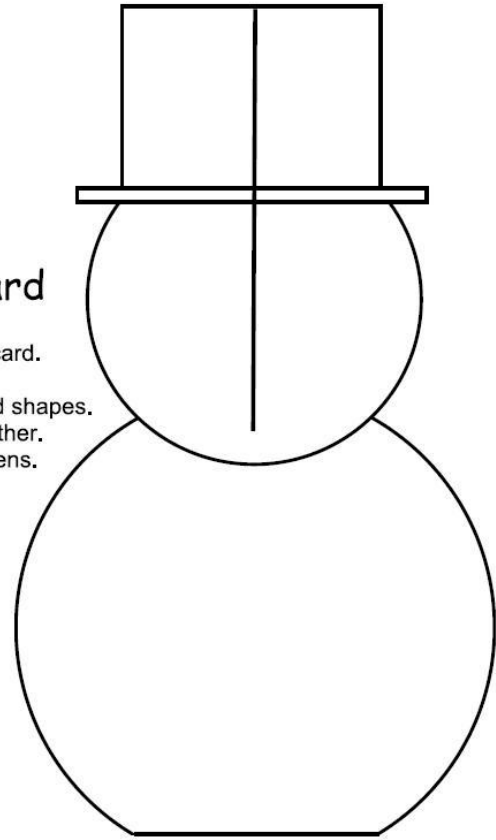
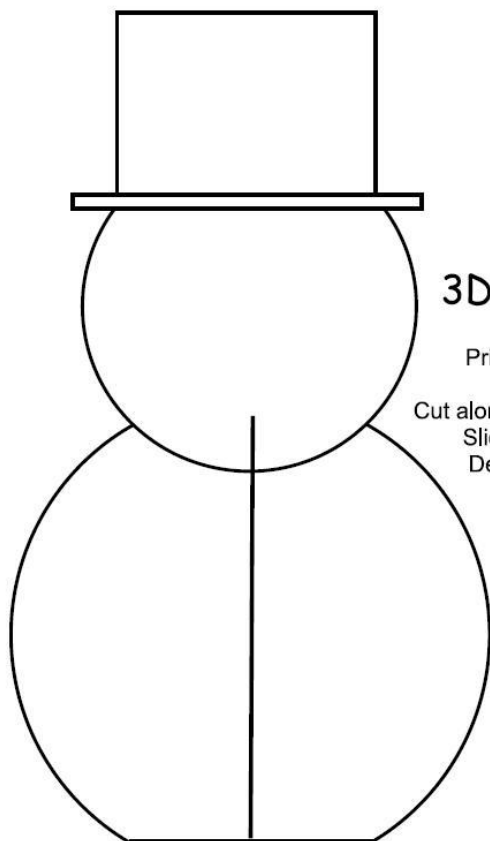


3D Snowman card

Print our template on to card.
Cut out the shapes.
Cut along the lines on the card shapes.
Slide the two pieces together.
Decorate with coloring pens.

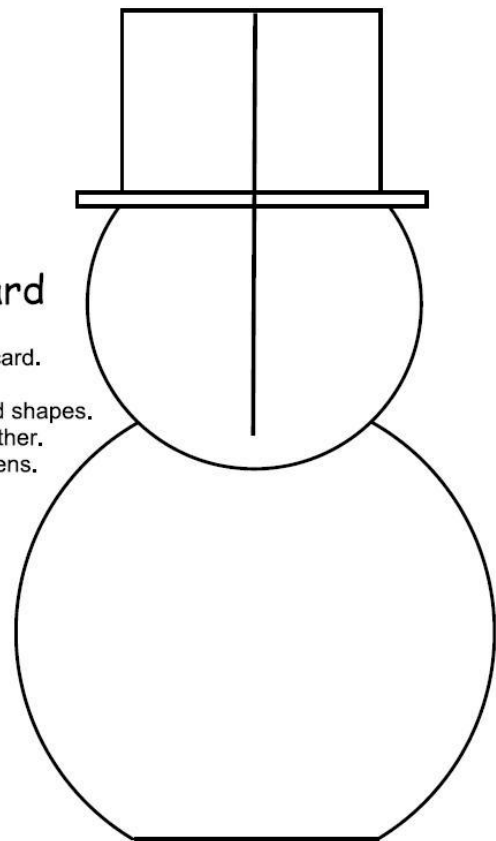


www.ActivityVillage.co.uk - Keeping Kids Busy



3D Snowman card

Print our template on to card.
Cut out the shapes.
Cut along the lines on the card shapes.
Slide the two pieces together.
Decorate with coloring pens.



www.ActivityVillage.co.uk - Keeping Kids Busy

